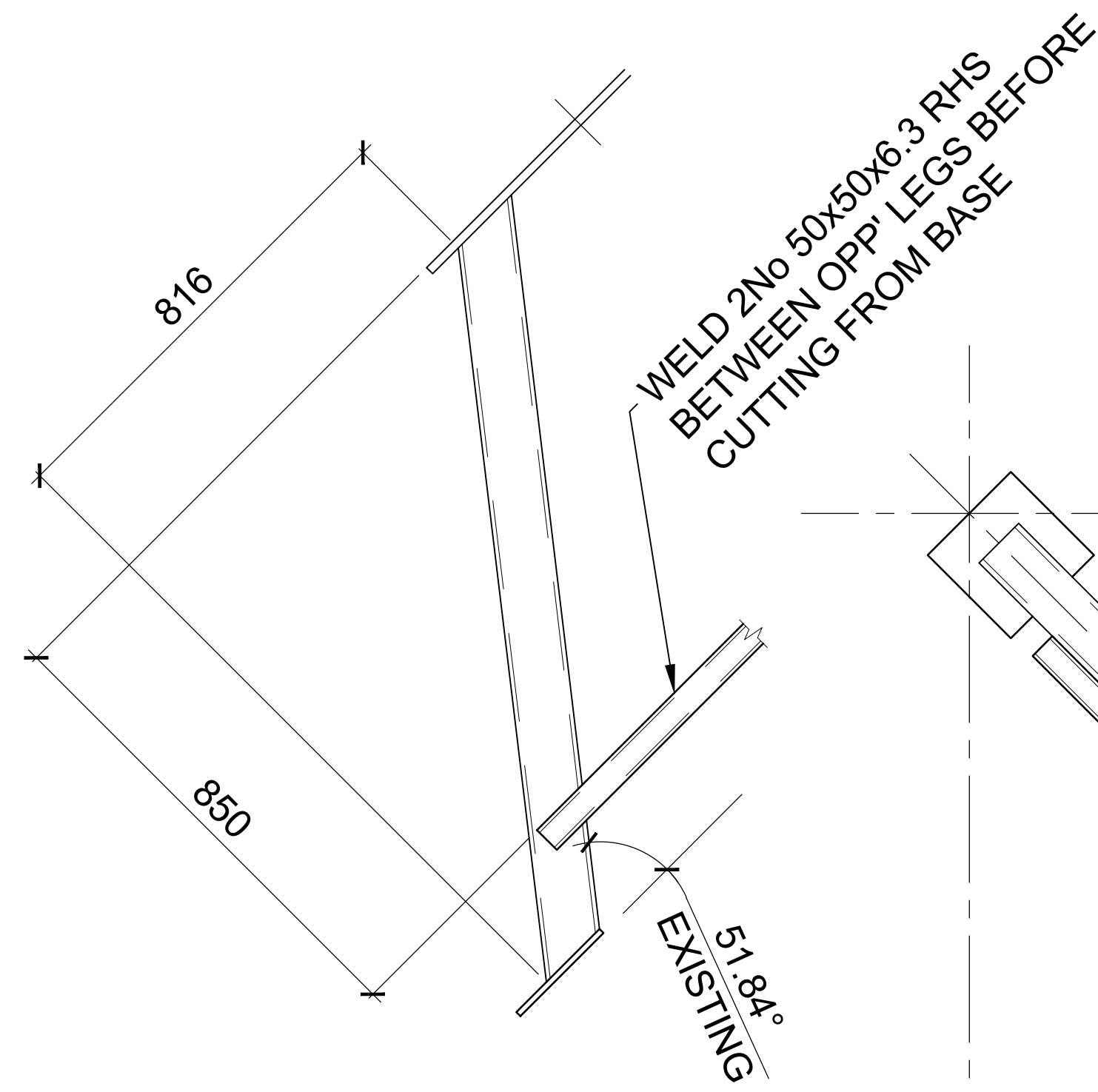
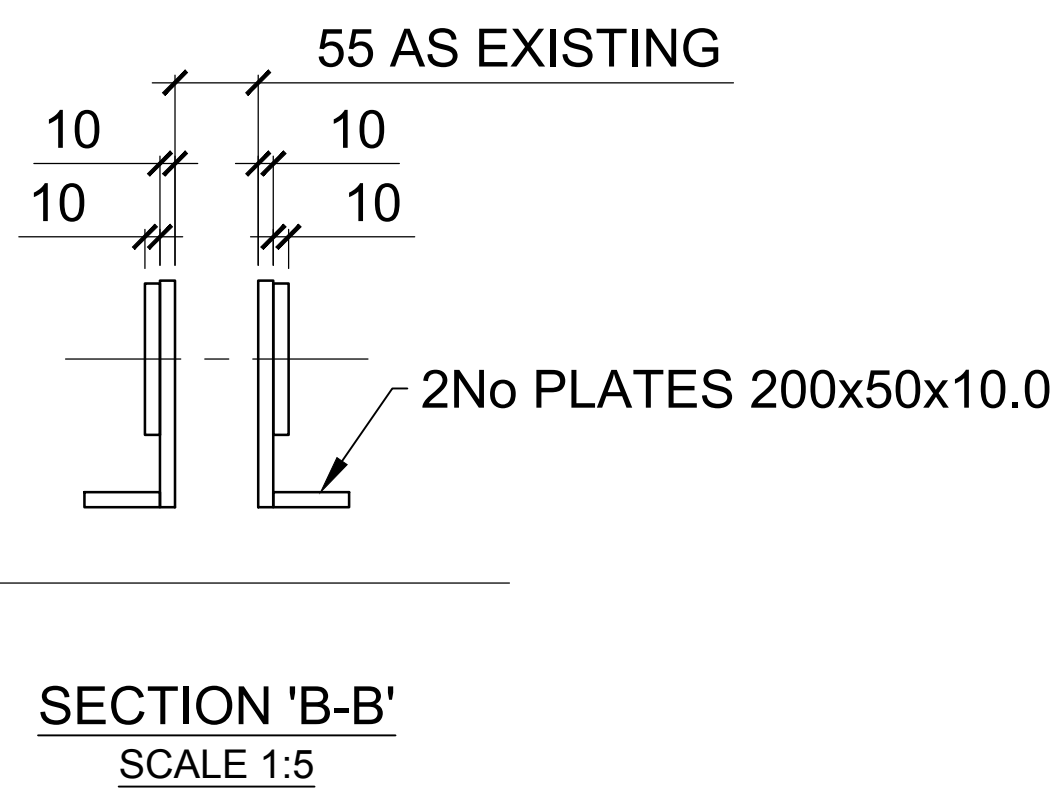
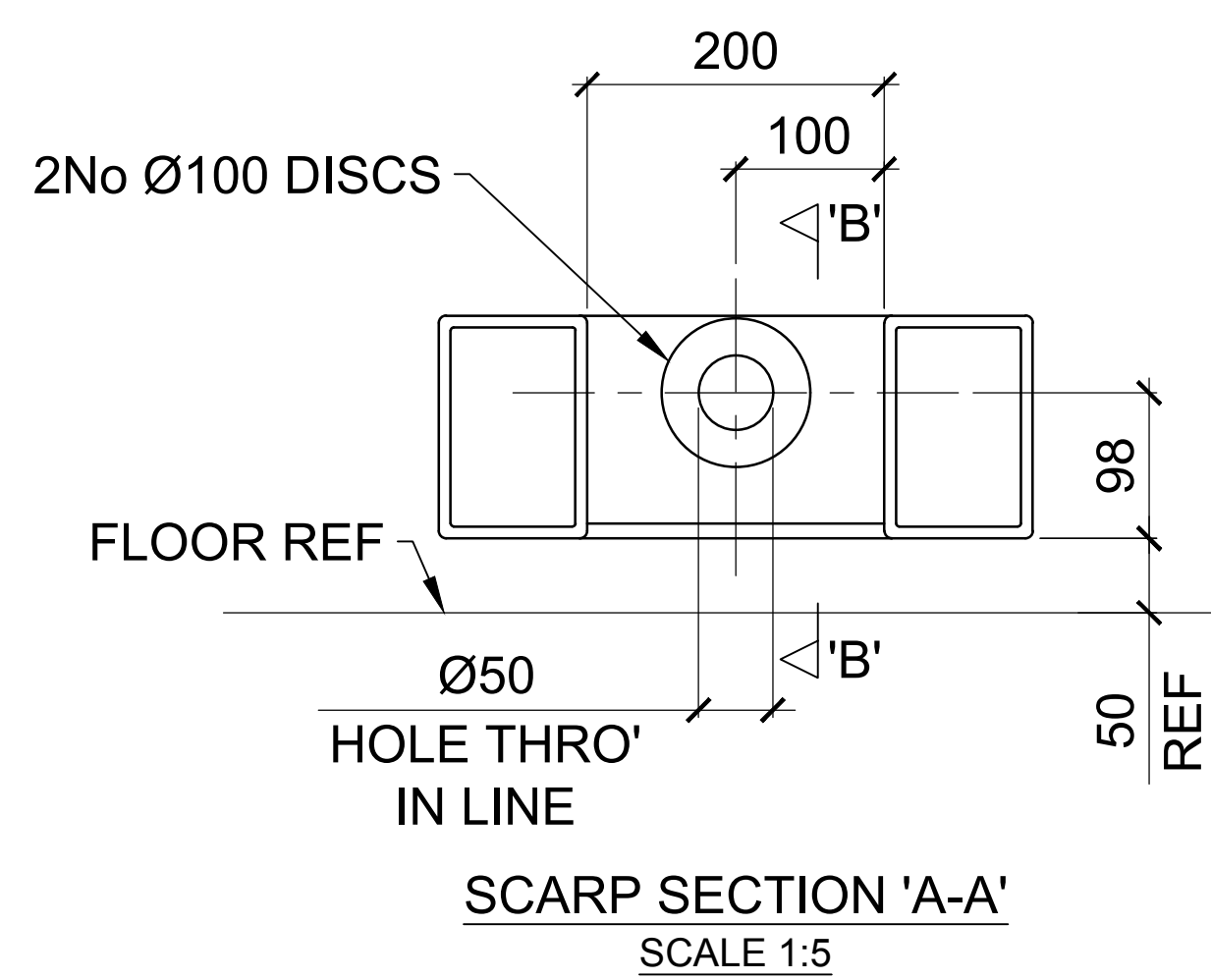
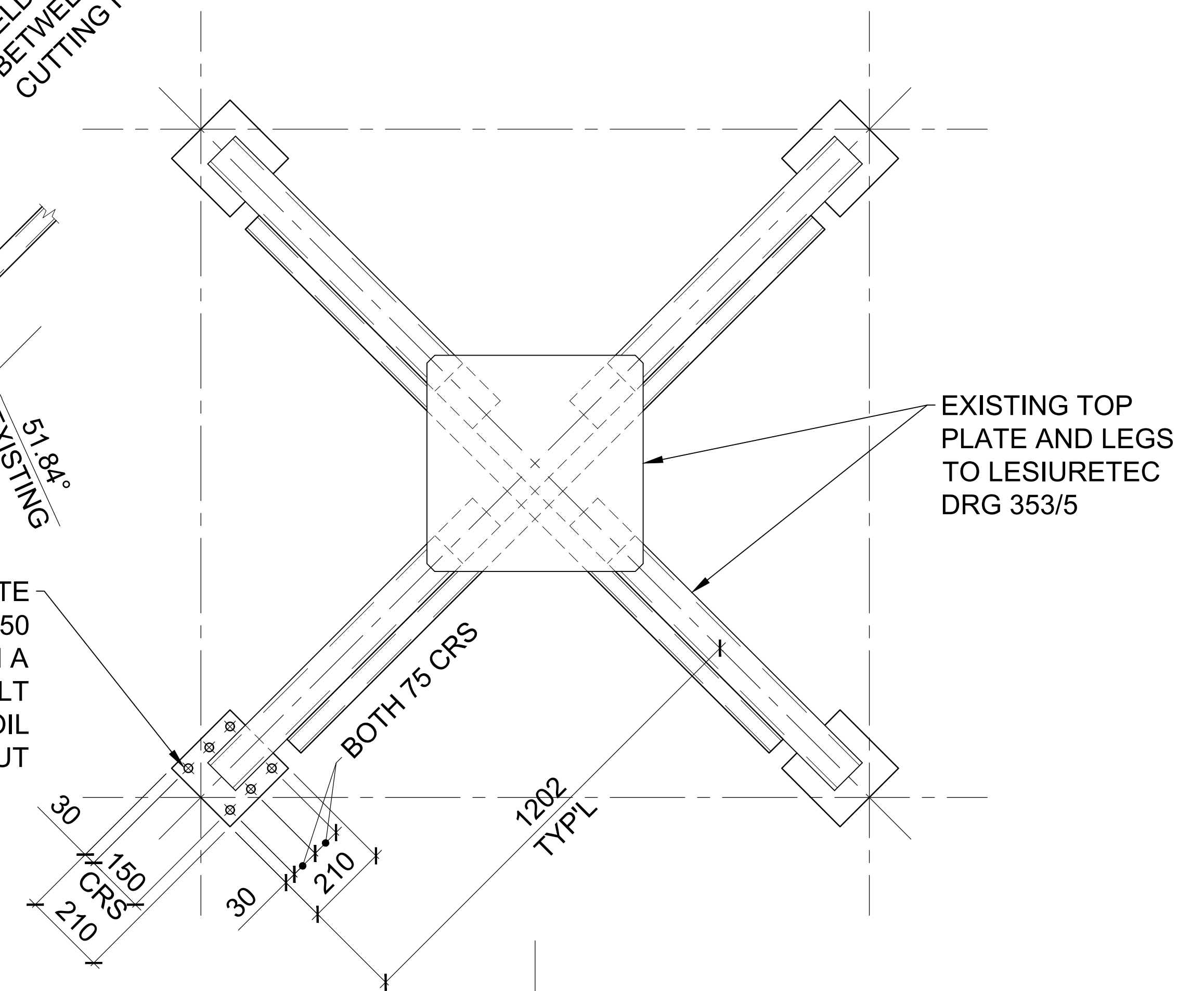


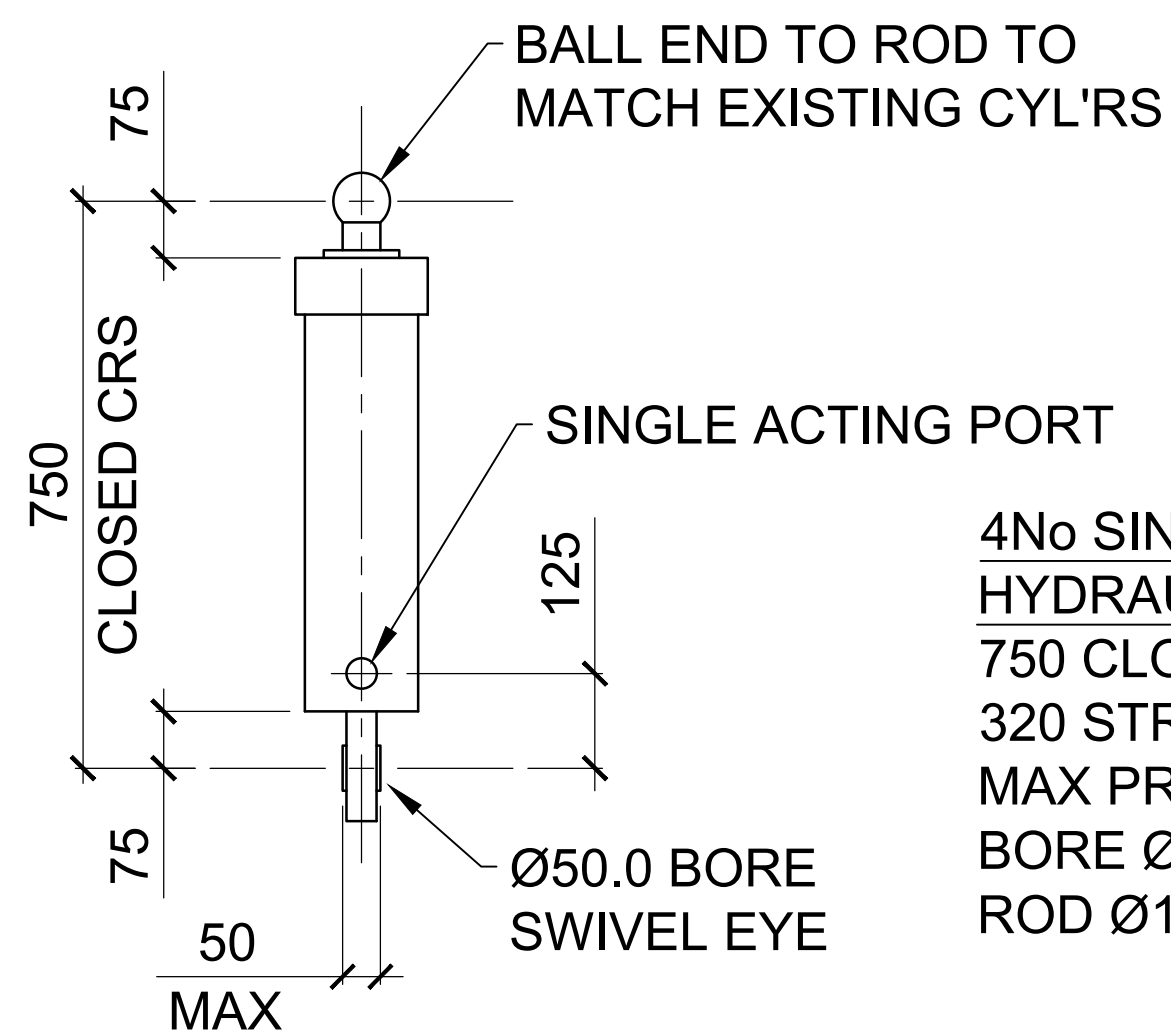
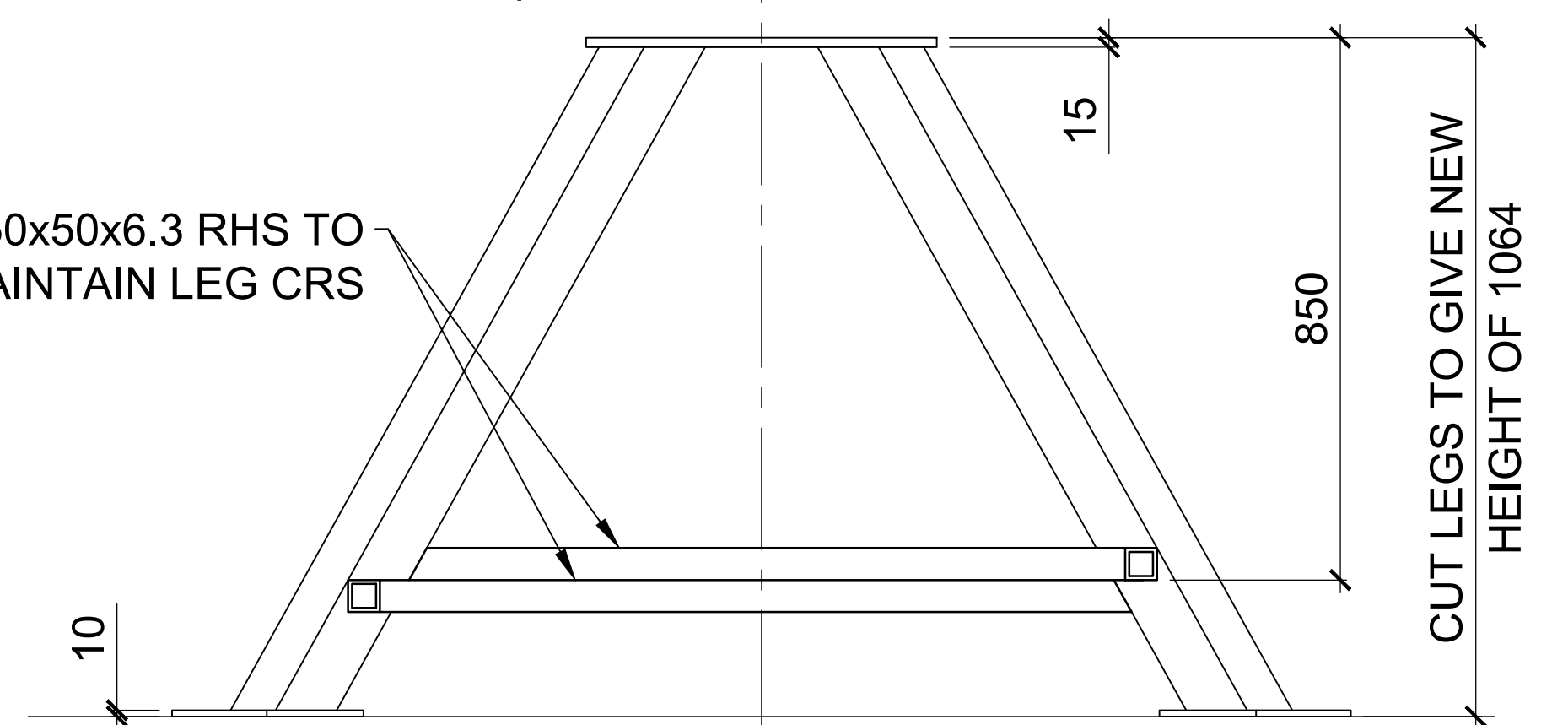
2No 150x100x8.0 RHS IN EACH BAY-WELD ENDS TO WEBBS OF U/B's



6No HOLES PER PLATE
DRILL Ø22.0 FIT M20x50
BOLTS WITH FORM A
WASHER UNDER BOLT
HEAD AND SINGLE COIL
S/W UNDER FULL NUT



NEW 50x50x6.3 RHS TO MAINTAIN LEG CRS



4No SINGLE ACTING
HYDRAULIC CYL'RS REQ'D
750 CLOSED CRS
320 STROKE
MAX PRESS' 172 BARS
BORE Ø125.0
ROD Ø100.0

ISSUE	DATE	AMENDMENT	INITIAL
<i>Effects Associates Ltd</i>			
DRAWN WJDS	ALL DIMENSIONS IN mm UNLESS STATED OTHERWISE		CLIENT NICK ALDER
DATE APRIL '95	THIRD ANGLE PROJECTION	TITLE EXISTING ROCKER DETAILS OF MOD'S	
SCALE 1:10	© William John 1995 Douglass Stoyle		DRAWING NUMBER 9515/2